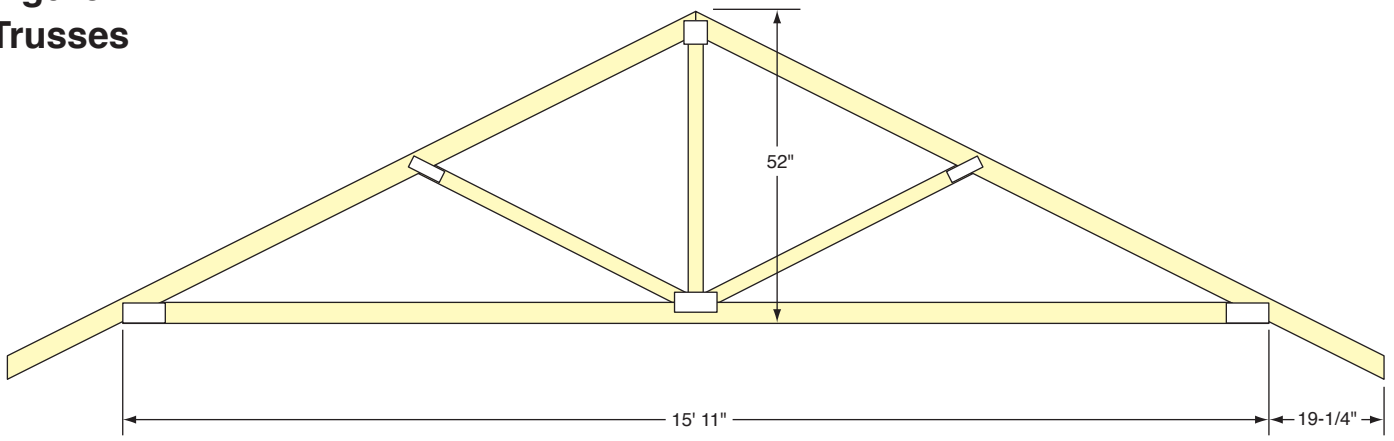
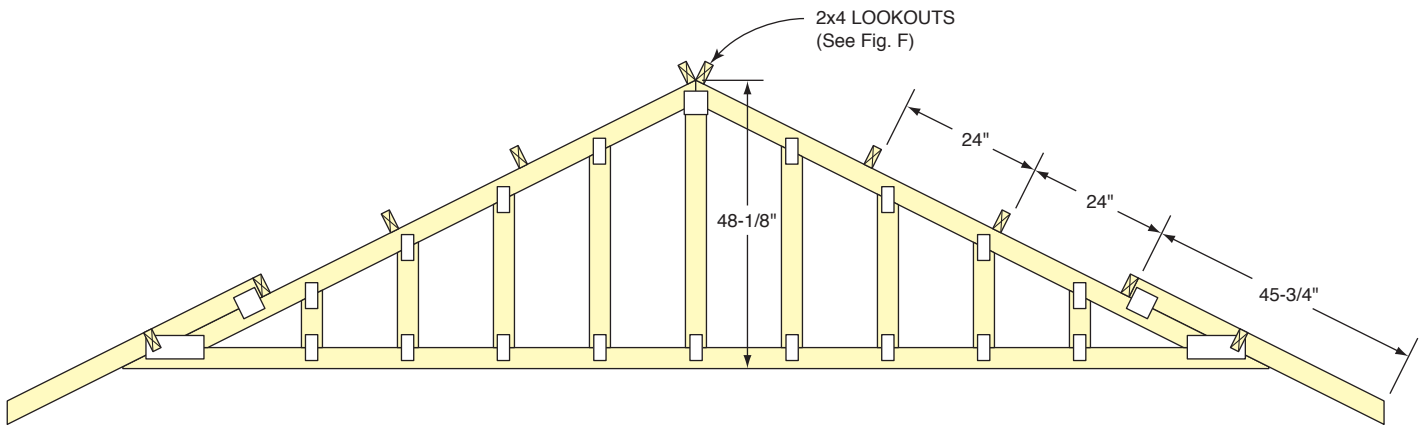


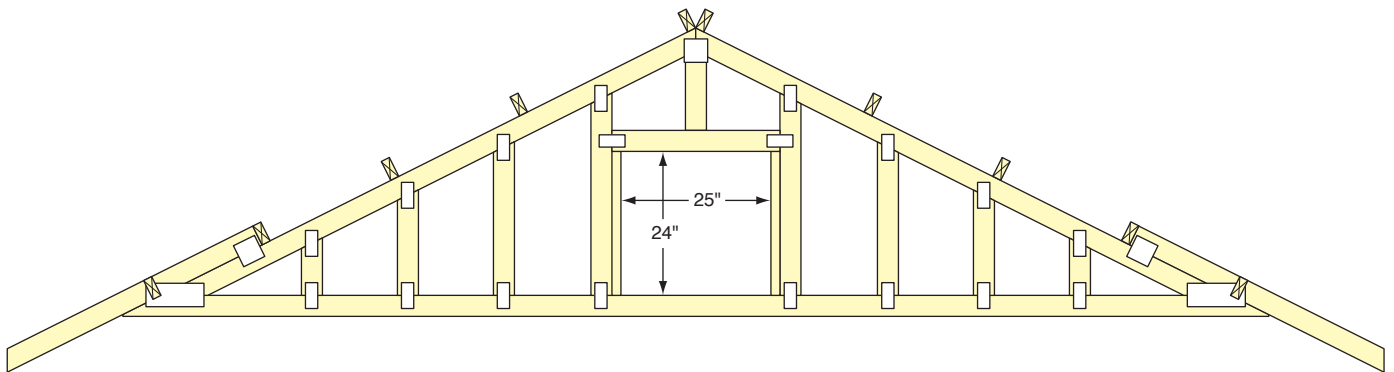
**Figure A
Trusses**



Inner (Common) Truss (9 Req'd)

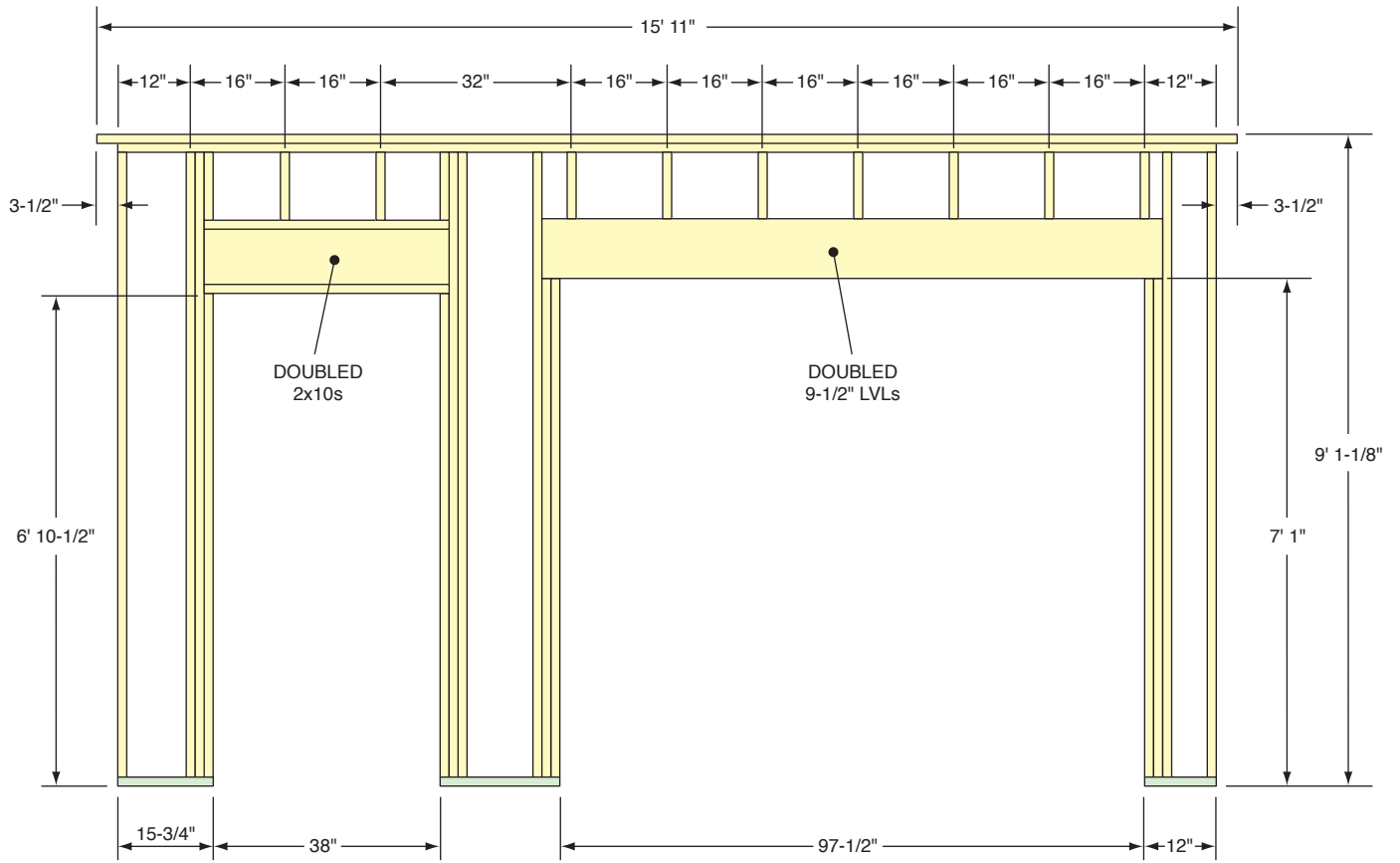


Rear (Gable End) Truss

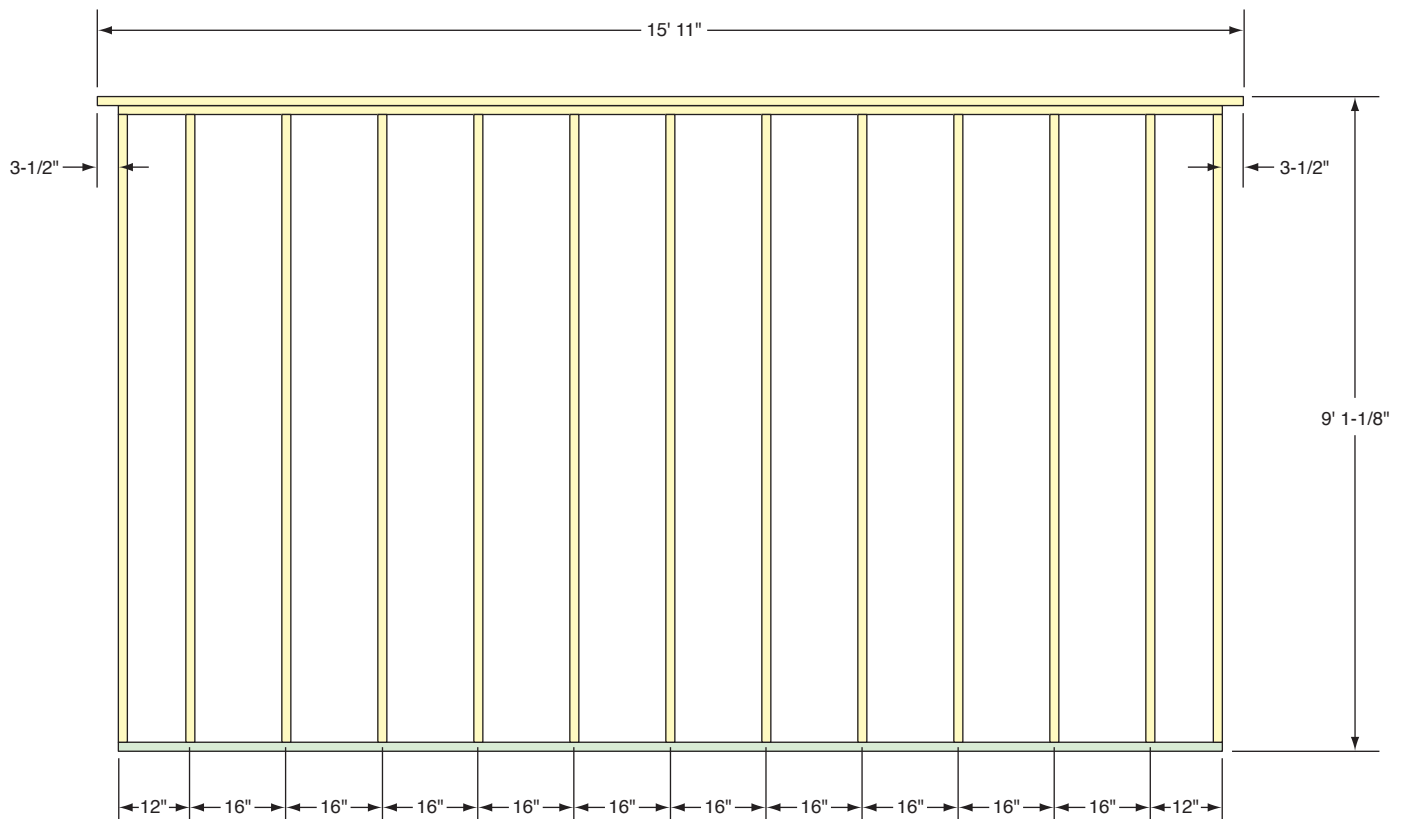


Front (Gable End) Truss

Figure B Front & Rear Wall Framing



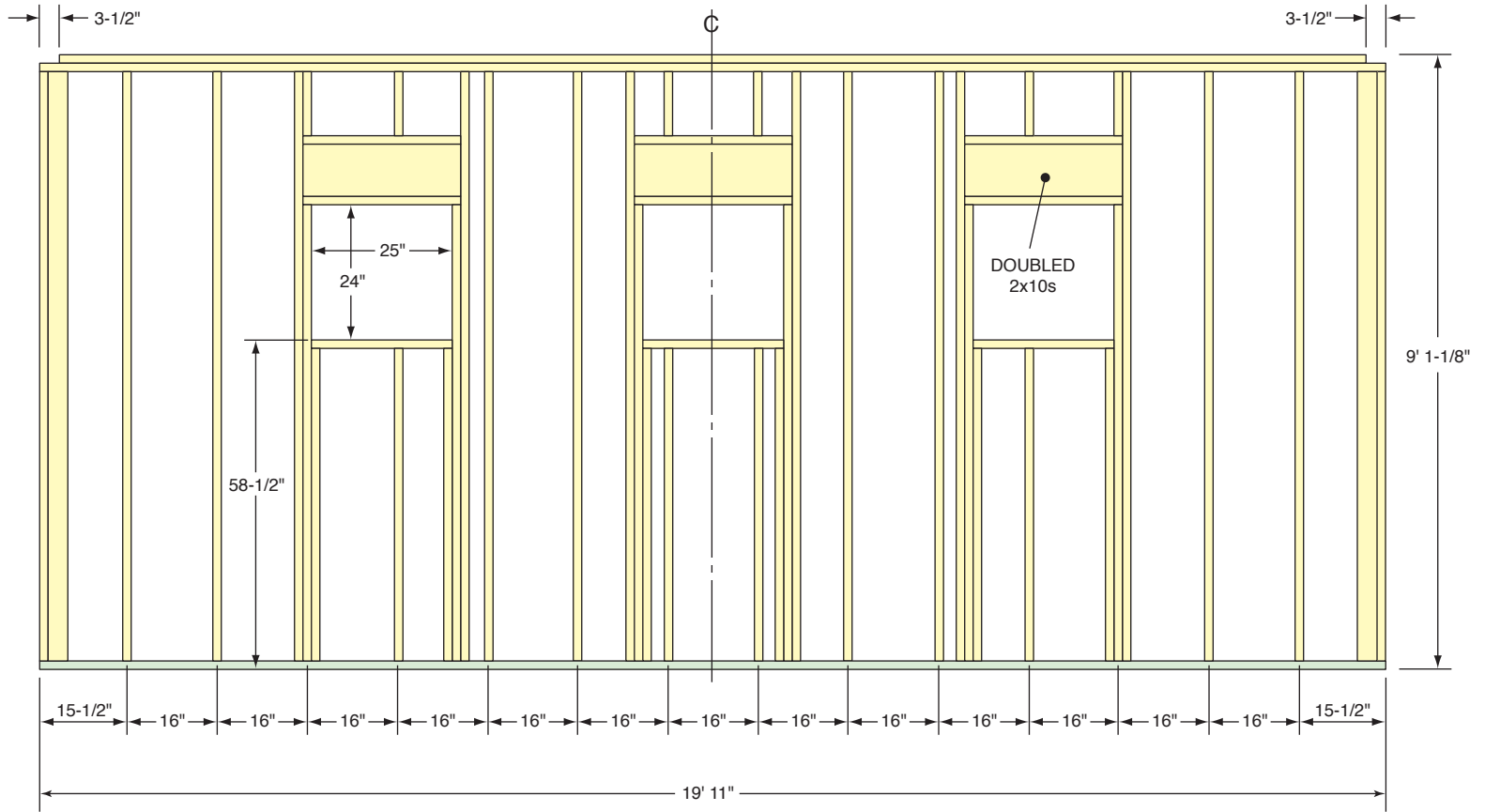
Front Wall Elevation*



Rear Wall Elevation*

*Add backing studs at corners if needed for wide corner boards.

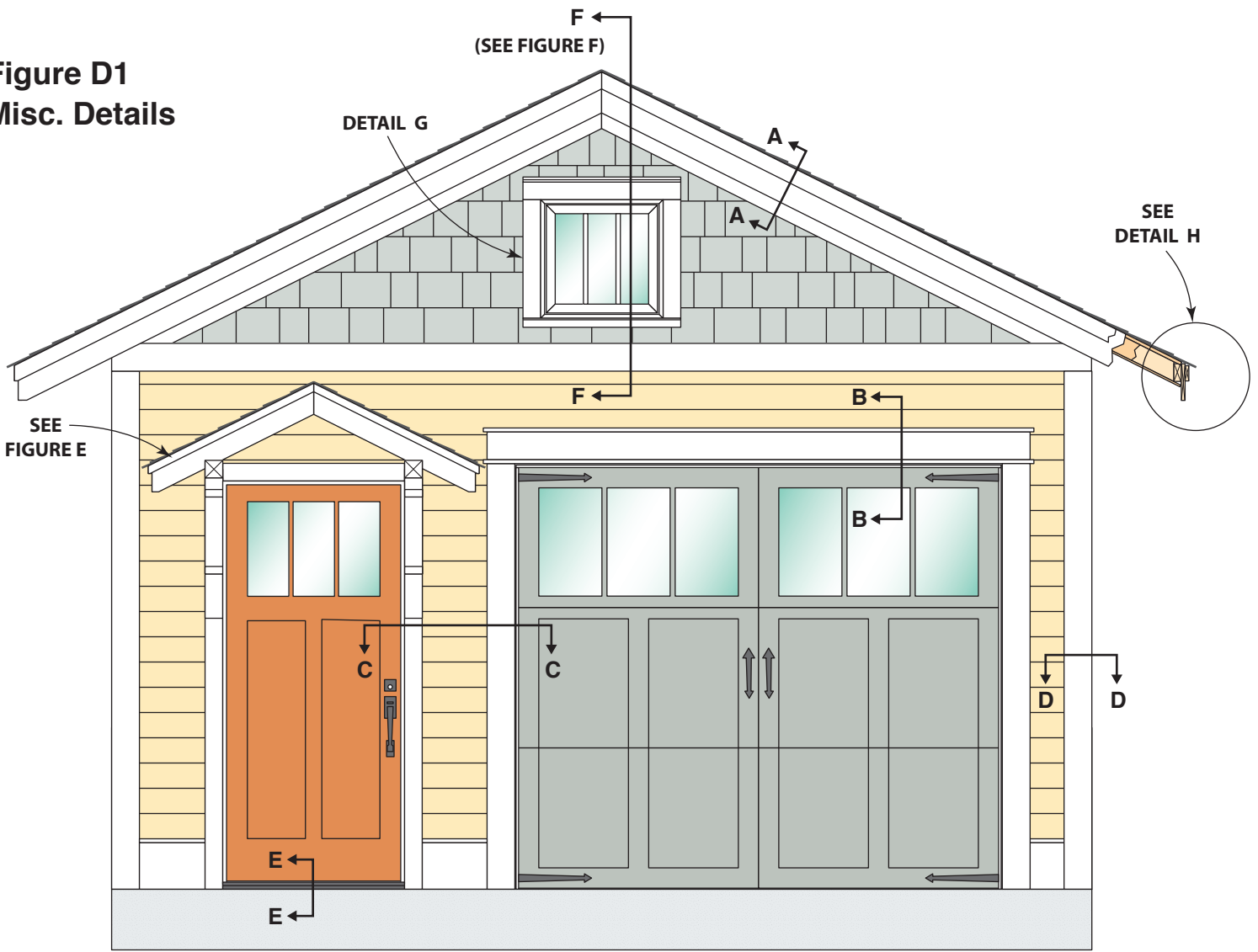
Figure C
Side Wall Framing



Side Wall Elevation

1/32 scale

Figure D1
Misc. Details



Front Elevation

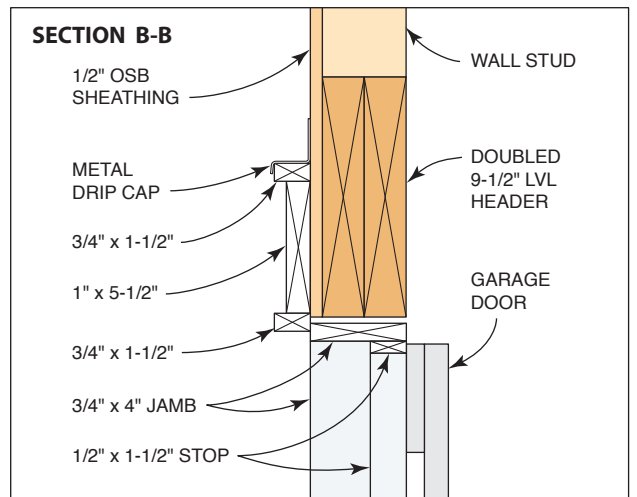
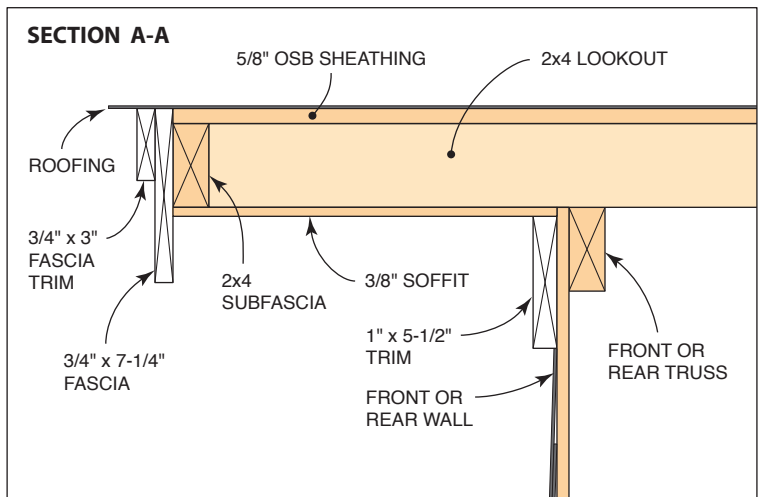


Figure D2
Misc. Details

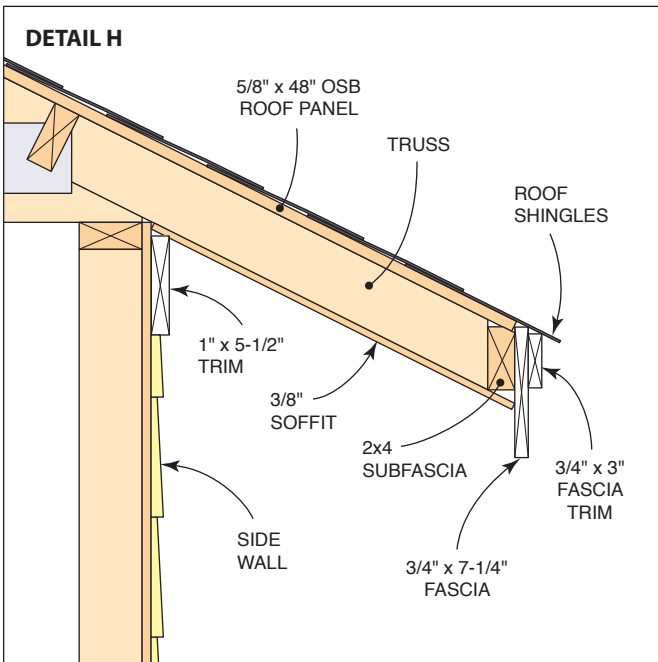
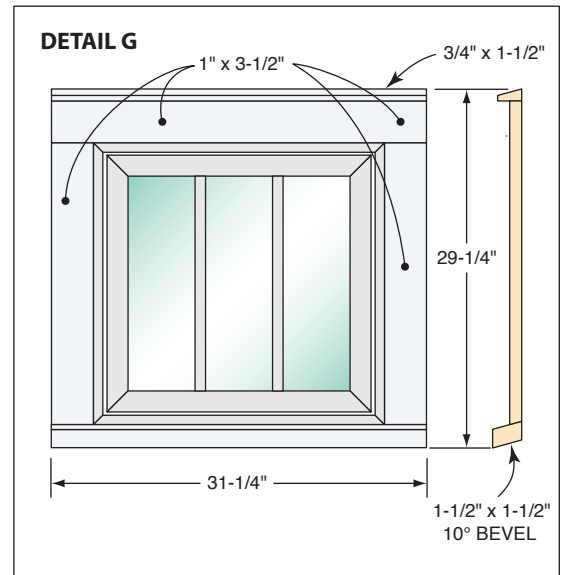
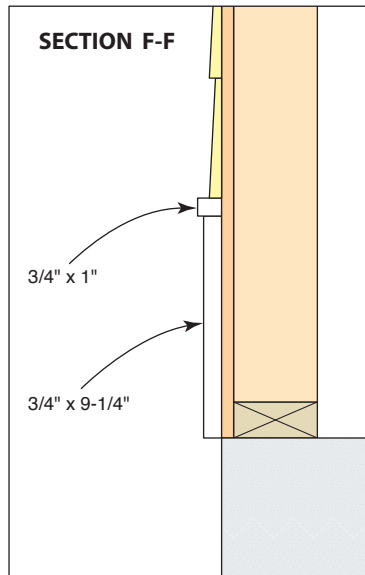
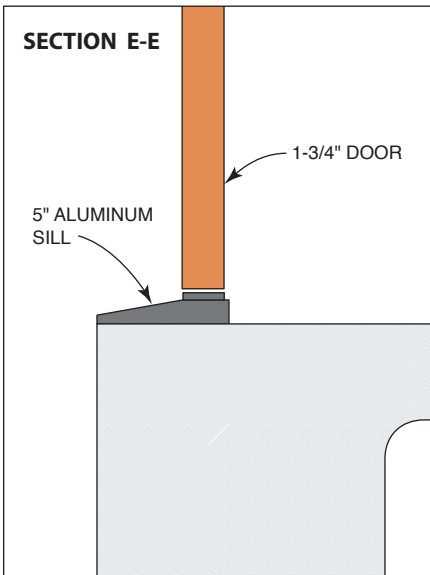
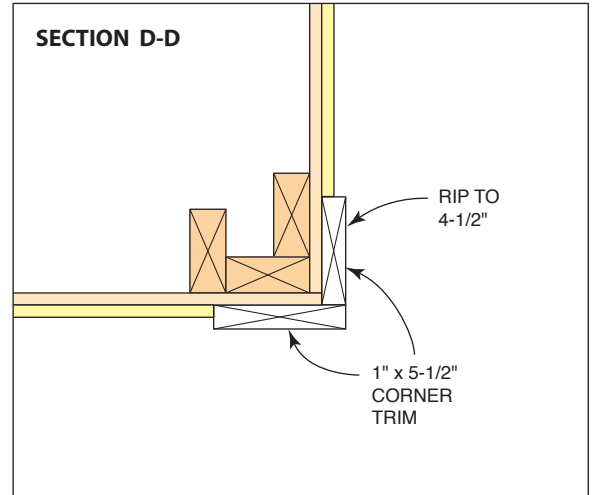
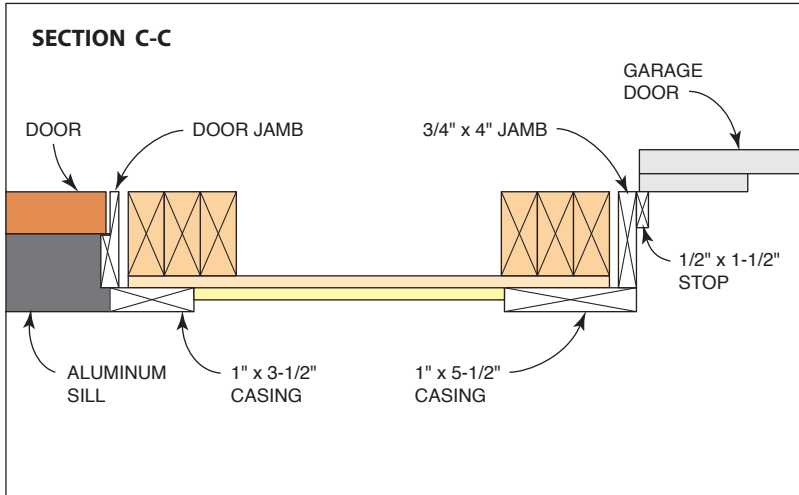
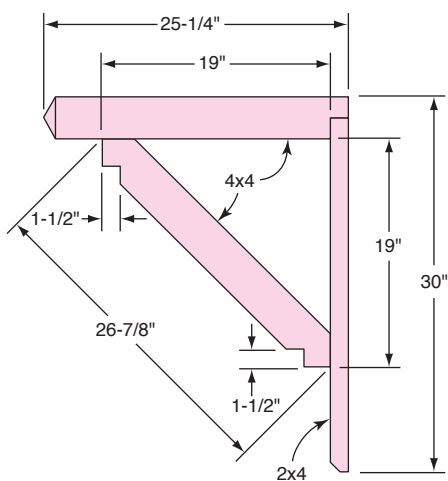
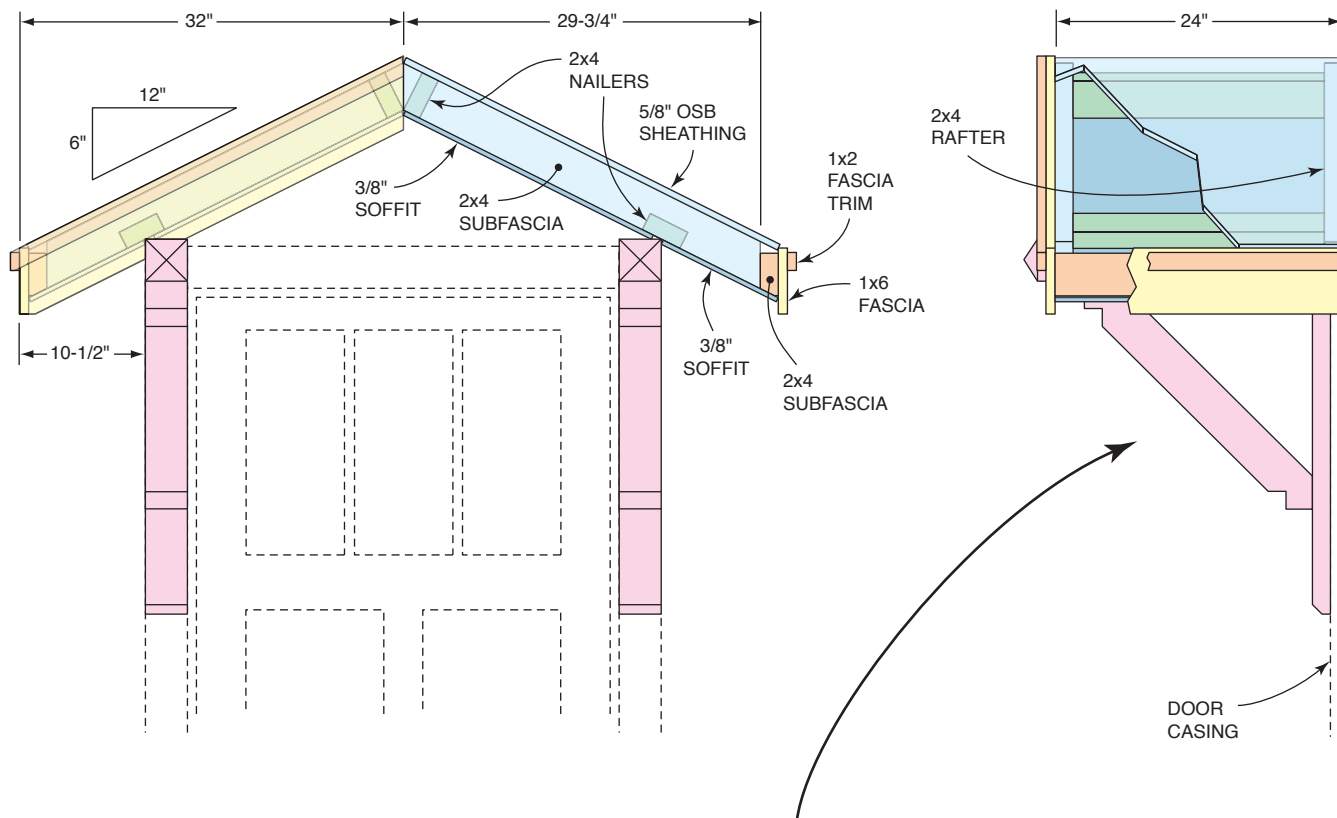
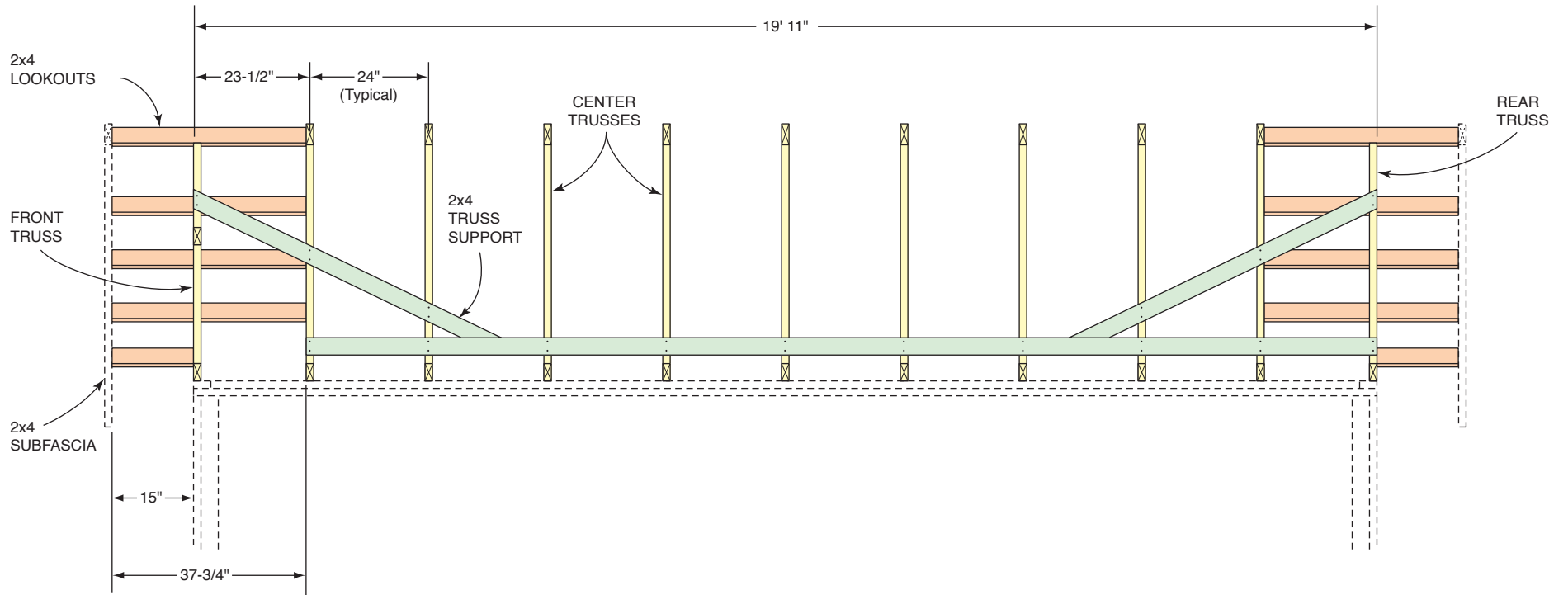


Figure E
Small Roof



1/16 scale

Figure F
Truss Spacing



Section F-F