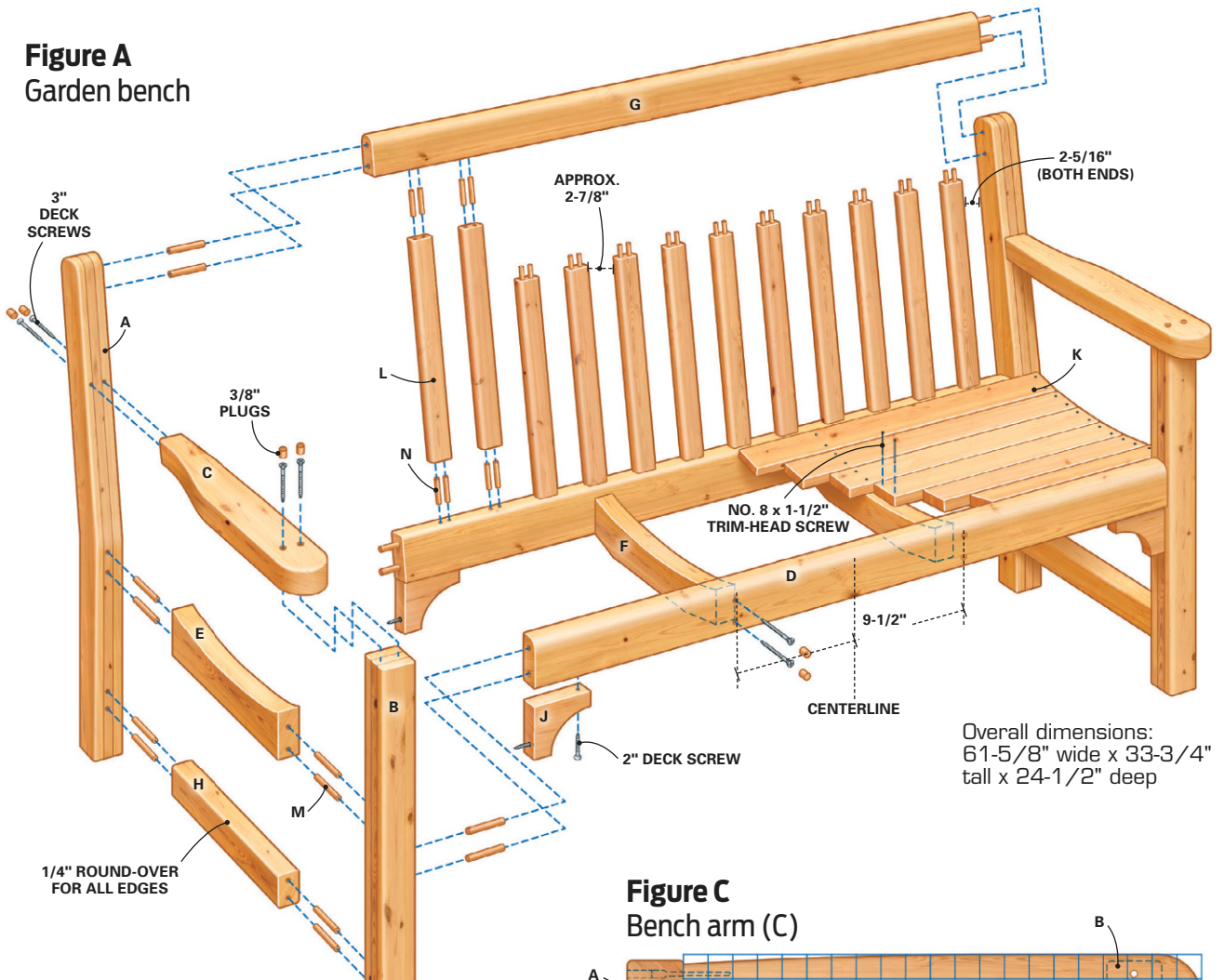


Figure A
Garden bench



Overall dimensions:
61-5/8" wide x 33-3/4"
tall x 24-1/2" deep

Figure B
Bench side view

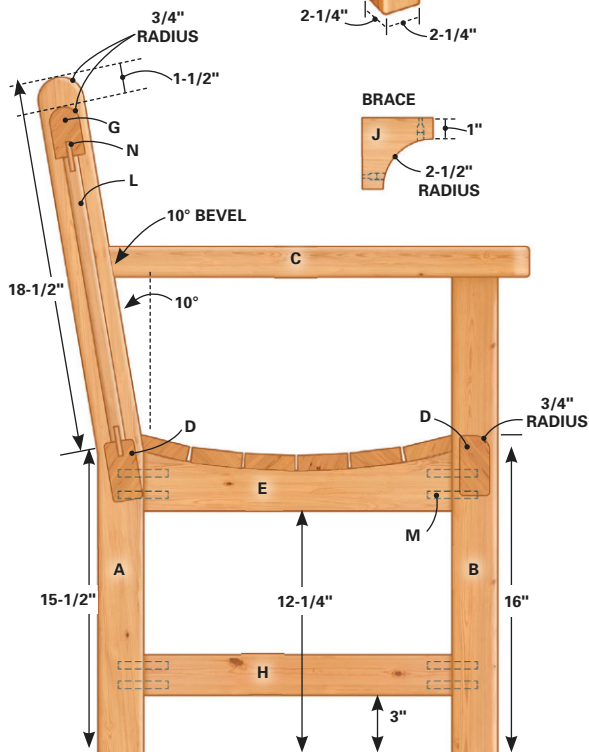


Figure C
Bench arm (C)

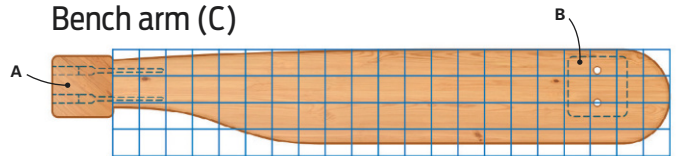


Figure D
Side seat rail (E)

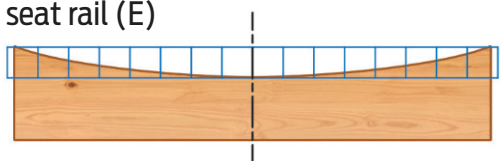
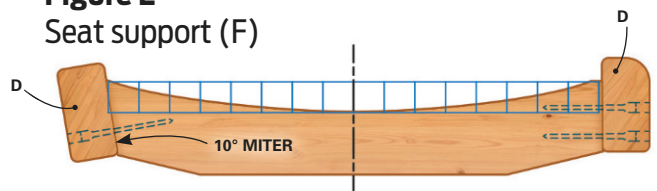


Figure E
Seat support (F)



Materials List

ITEM	QTY.
2x4 x 8' cedar	4
1x6 x 8' cedar	6*
No. 8 x 1-1/2" trim-head screws	
2" deck screws	
No. 8 x 3" deck screws	16
No. 6 or No. 7 stainless steel trim-head screws	48
1/4" fluted dowels	48
3/8" fluted dowels	28

* You can substitute two 8' 2x6s for three of the 1x6s for the leg stock if you have access to a planer.